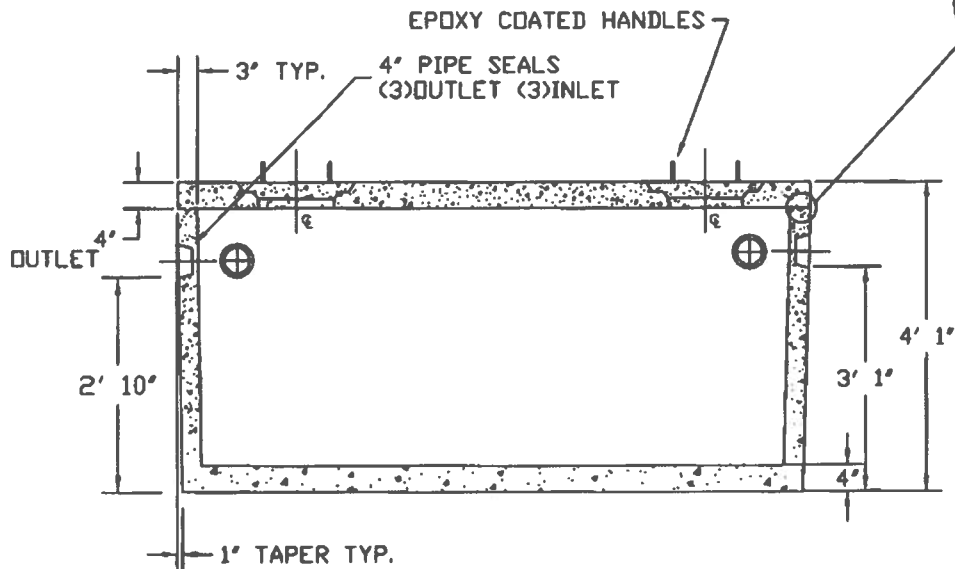


TOP VIEW

TOUNGE & GROOVE JOINT WITH BITUMEN-BUTYL SEALANT



SECTION A-A

NOTES:

- EXCAVATION MUST BE AT LEAST 12" WIDER & LONGER THAN TANK SIZE.

Bush
CONCRETE PRODUCTS, INC.
 3684 Airline Road Muskegon, Michigan 49444
 231-733-1904 1-800-TOO-BUSH
 WWW.BUSHCONCRETEPRODUCTS.COM

675 Gal. Septic Tank
 Precast Concrete

SIZE	DATE	DWG. NO.	REV
A	2/16/2018	002-1	
DRAWN BY: CB		SHEET 1 of 1	