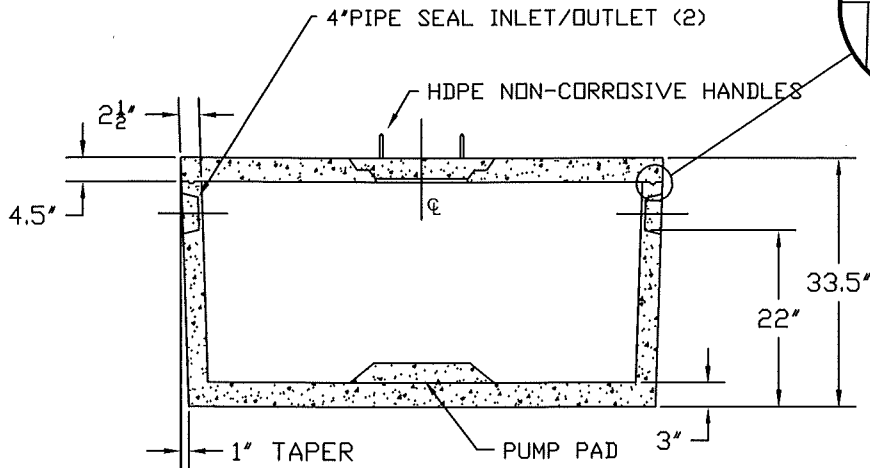


TONGUE & GROOVE JOINT WITH POLYPROPYLENE BASED SEALER

TOP VIEW



SECTION A-A

NOTES:  
1. CAPACITY: 185 GALLONS.



**CONCRETE PRODUCTS, INC.**

3584 Airline Road Muskegon, Michigan 49444  
231-733-1904 1-800-TOO-BUSH  
WWW.BUSHCONCRETEPRODUCTS.COM

185 gal. Pump Chamber

SIZE	DATE	DWG NO.	REV
A	12/28/05	001	2/01/12
DRAWN BY: CB 10/21/11			SHEET 1 of 1