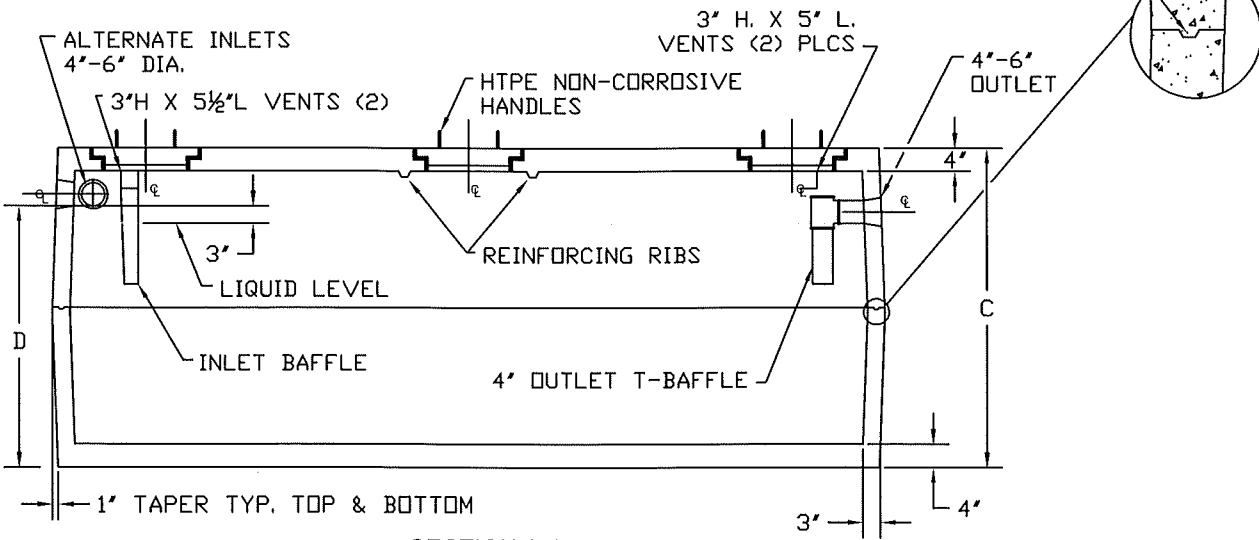


TOP VIEW

TONGUE & GROOVE  
JOINT WITH  
POLYPROPYLENE  
BASESEALER



SECTION A-A

NOTES:

- EXCAVATION MUST BE AT LEAST 12" WIDER & LONGER THAN TANK SIZE.

\* SEE PAGE 2 FOR CENTER SECTION DETAILS AND DIMENSIONS.



3584 Airline Road Muskegon, Michigan 49444  
231-733-1904 1-800-TOO-BUSH  
WWW.BUSHCONCRETEPRODUCTS.COM

1600-4000 gal. Septic Tank

SIZE	DATE	DWG NO.	REV
A	12/14/05	009	2/01/12
DRAWN BY: S. GARABEDIAN		SHEET	1 of 2