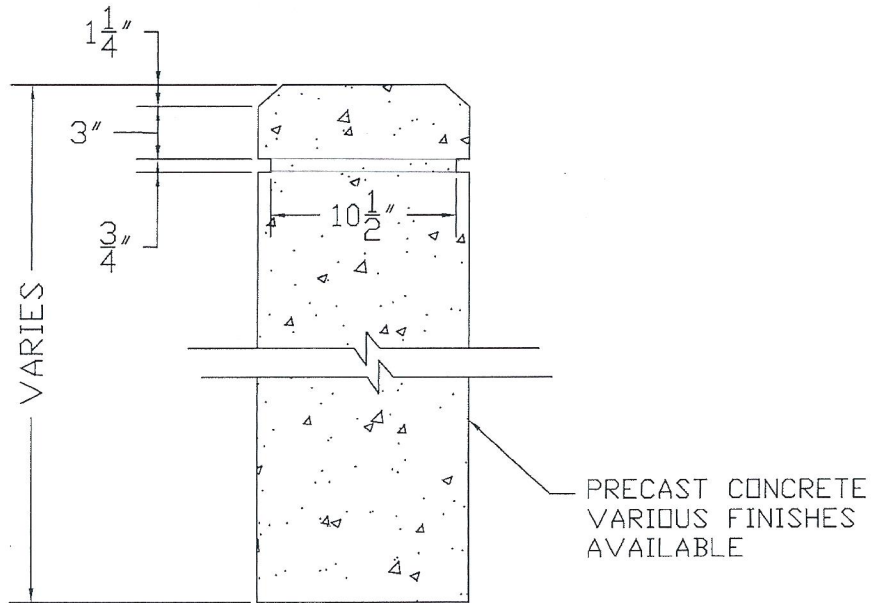


TOP VIEW



SECTION A-A



**CONCRETE PRODUCTS, INC.**

3884 Airline Road Muskegon, Michigan 49444  
 231-733-1904 1-800-TOO-BUSH  
 WWW.BUSHCONCRETEPRODUCTS.COM

## 12RS Bollard

SIZE	DATE	DWG. NO.	REV
A	12/25/05	001	
DRAWN BY: S. GARABEDIAN			SHEET 1 of 1