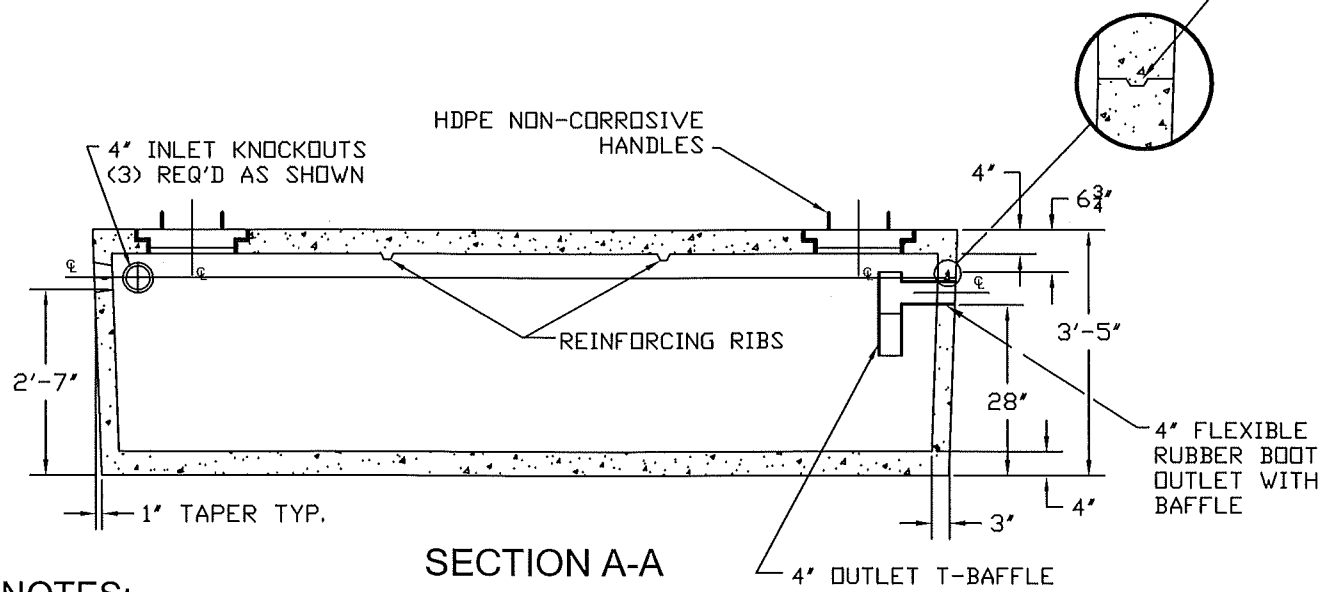


TOP VIEW

TOUNGE & GROOVE JOINT WITH POLYPROPYLENE BASED SEALER



SECTION A-A

- NOTES:
- EXCAVATION MUST BE AT LEAST 12" WIDER & LONGER THAN TANK SIZE.



Shallow 1000 gal. Septic Tank

SIZE A	DATE 12/02/05	DWG NO. 004	REV
DRAWN BY: CB 10/27/2011		SHEET 1 of 1	